



Stainless

steel fittings



Featured Products



FOR HIGH QUALITY POOL DESIGN

Products

Long-lasting stainless steel fittings

Designed in Australia and used around the world, Flolux fittings are long-lasting, easy to install, and made to make your pool or spa stand-out against the competition.

With a mirror-finish that complements any high-end concrete or fibreglass pool design, our pool return fittings are the ultimate in quality and finish.

In 316L marine-grade stainless steel, the range is perfect for pools, spas and water features alike.

We manufacture pool return fittings, spa jet fittings, pool and spa suction fittings and more.



Highly durable,
longer lasting

than traditional white and
coloured PVC pool fittings

Aesthetically
superior

with a mirror finish that can
disappear into its surroundings

Loved by clients
and distributors

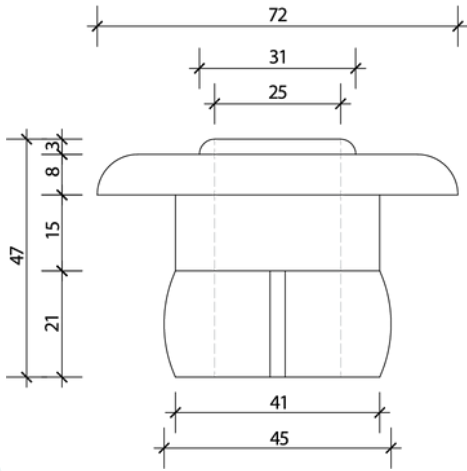
for luxury hotels, homes, and
super yachts



THE SUPERIOR ALTERNATIVE TO PVC WALL
FITTINGS

FLOJET

40mm/1,5 inch



PRODUCT

FloJet 40mm (1.5")
Eyeball Return Jet,
Push Fit, Self Set

PRODUCT CODE:

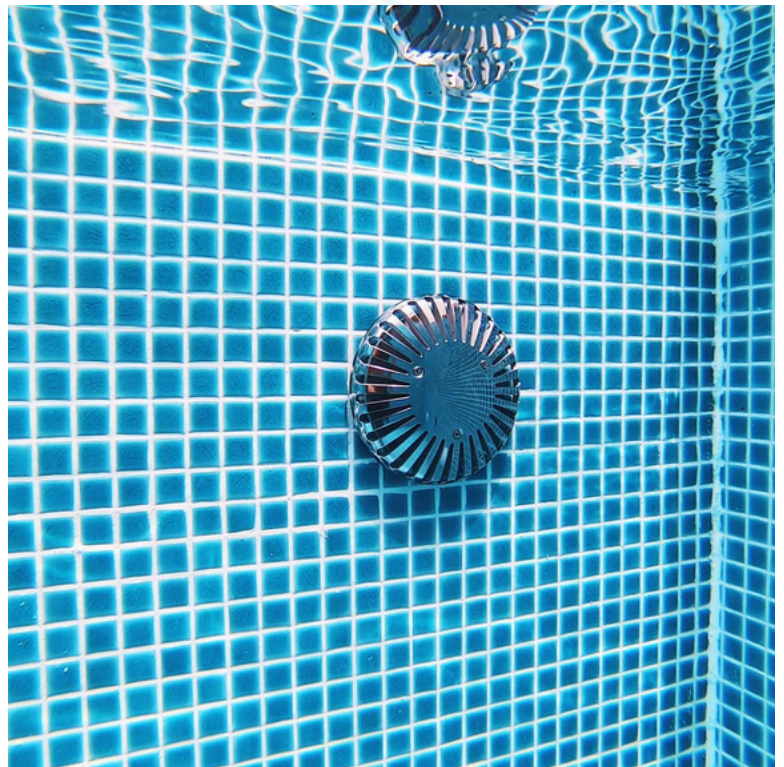
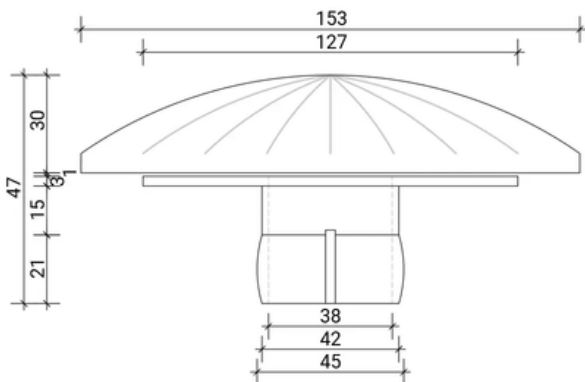
FLX001

MATERIAL:

316L Stainless Steel
Fascia PVC Backing

FLOSUCTION

40mm/1,5 inch



PRODUCT

FloSuction 40mm
(1.5") Safety Suction,
Push Fit, Self Set

PRODUCT CODE:

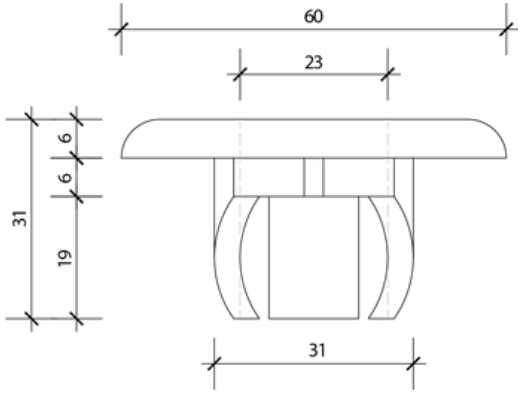
FLX002

MATERIAL:

316L Stainless Steel Fascia PVC Backing (AS1926.3.2010
Approved 250L/PM) Earthing required for this product
Australian Standards Approved Minimum two flosuction's per
common suction line

FLOAIR

25mm/1 inch



PRODUCT

FloAir 25mm (1") Air Diffuser, Push Fit, Self Set

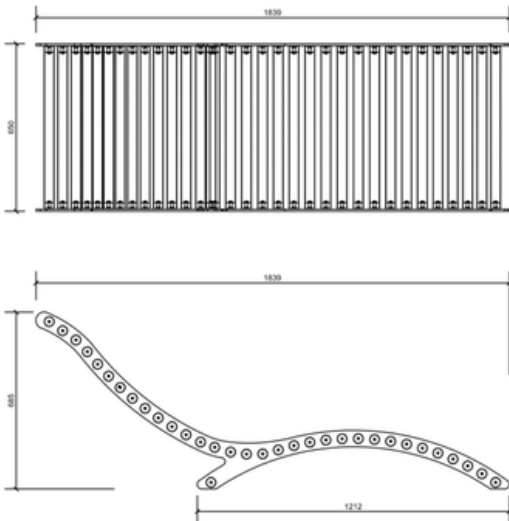
PRODUCT CODE:

FLX003

MATERIAL:

316L Stainless Steel
Fascia PVC Backing

FLOLOUNGER



PRODUCT

FloLounge

PRODUCT CODE:

FLX020

MATERIAL:

8mm 316 stainless steel sides; 316 stainless steel tube
Minimum two flosuction's per common suction line